

**Part Number: PT932-89100**

**Kit Contents**

Item #	Quantity Reqd.	Description
1	1	Stainless Steel Exhaust Tip
2	1	Stainless Steel Clamp Assembly
3	2	Stainless Steel Spacers
4	1	Installation Instructions

**Hardware Bag Contents**

Item #	Quantity Reqd.	Description
None		

**Additional Items Required For Installation**

Item #	Quantity Reqd.	Description
None		

**Conflicts**

--

**Recommended Tools**

<b>Personal &amp; Vehicle Protection</b>	<b>Notes</b>
None	
<b>Special Tools</b>	<b>Notes</b>
None	
<b>Installation Tools</b>	<b>Notes</b>
Ratchet	
Socket	12 mm Deep well Socket
Torque wrench	55 N-m
Non-scratch cloth	
<b>Special Chemicals</b>	<b>Notes</b>
Glass Cleaner	Dealer installed
Approved Cleaner	VDC installed

**General Applicability**

--

**Recommended Sequence of Application**


Item #	Accessory
1	Exhaust tip
2	
3	


\*Mandatory


**Vehicle Service Parts** (may be required for reassembly)


Item #	Quantity Reqd.	Description
1		
2		
3		


**Legend**


 **STOP:** Damage to the vehicle may occur. Do not proceed until process has been complied with.

 **OPERATOR SAFETY:** Use caution to avoid risk of injury.

 **CAUTION:** A process that must be carefully observed in order to reduce the risk of damage to the accessory/vehicle and to ensure a quality installation.

 **TOOLS & EQUIPMENT:** Used in Figures calls out the specific tools and equipment recommended for this process.

 **REVISION MARK:** This mark highlights a change in installation with respect to previous issue.

 **SAFETY TORQUE:** This mark indicates that torque is related to safety.



**Procedure**

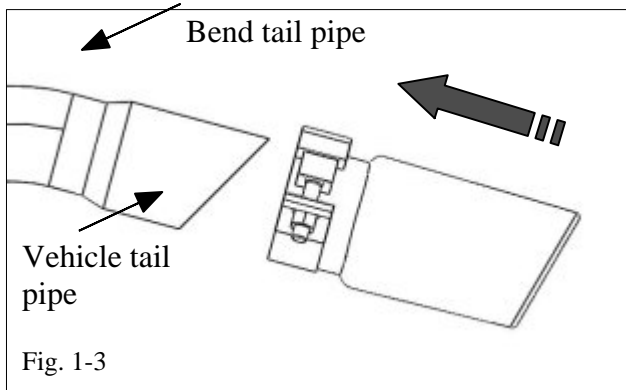
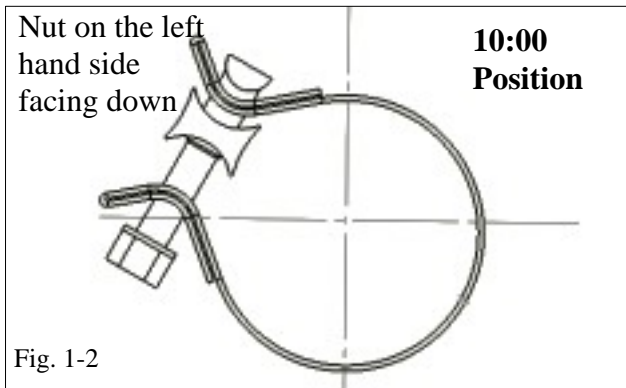
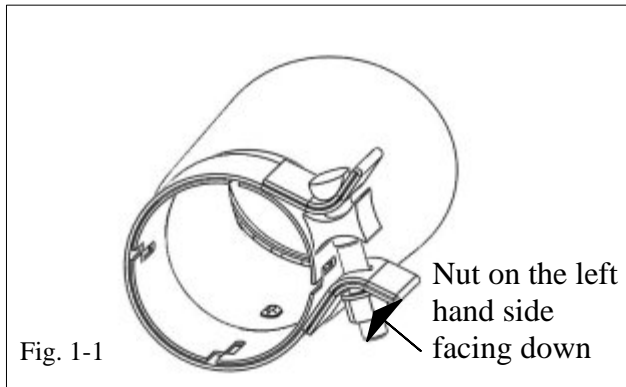
Care must be taken when installing this accessory to ensure damage does not occur to the vehicle. The installation of this accessory should follow approved guidelines to ensure a quality installation.

These guidelines can be found in the "Accessory Installation Practices" document.

This document covers such items as:-

- Vehicle Protection (use of covers and blankets, cleaning chemicals, etc.).
- Safety (eye protection, rechecking torque procedure, etc.).
- Vehicle Disassembly/Reassembly (panel removal, part storage, etc.).
- Electrical Component Disassembly/Reassembly (battery disconnection, connector removal, etc.).

Please see your Toyota dealer for a copy of this document.



**Installation.**

- (a) Make sure the vehicle's tail pipe is free from dirt and debris.
- (b) Remove exhaust tip from box and set on a soft surface to prevent scratching.
- (c) Slide the Stainless Steel Clamp over the exhaust tip inlet as shown. (Fig. 1-1)

**⚠** (1) Locate the bolt of the clamp at the left side (driver side) of exhaust tip inlet with the nut facing down as shown. (Fig. 1-1 & 1-2).

**⚠** (d) Slide the exhaust tip and clamp assembly over the tail pipe until the edge of the exhaust tip is on the beginning of the bend of vehicle's tail pipe. (Fig. 1-3)

(1) The exhaust tip should be oriented with the internal bump on down.

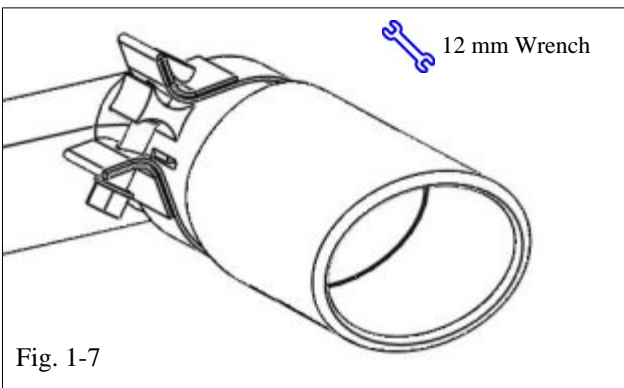
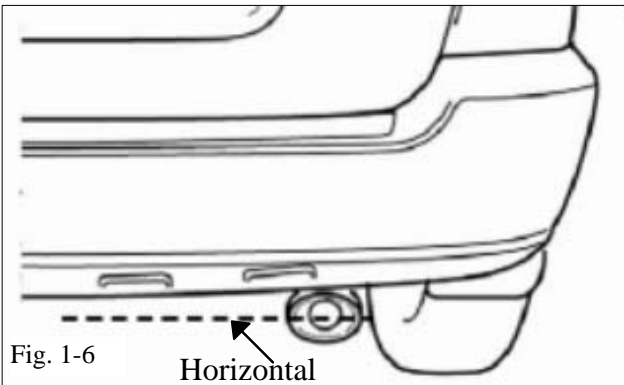
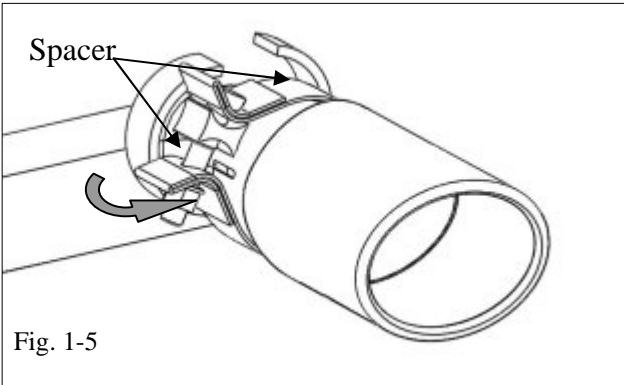
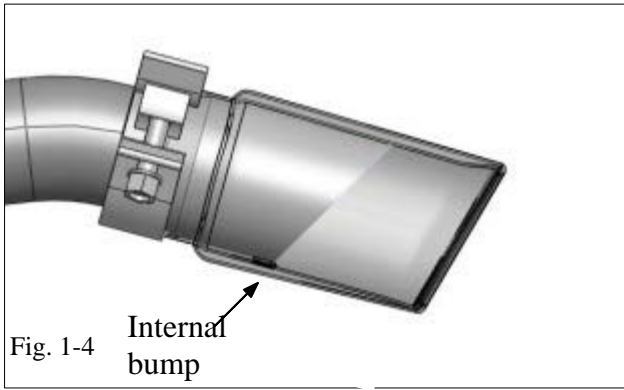
**⚠** (2) Slide the exhaust tip until the internal bump interferes with tail pipe. The end of tail pipe and end to the exhaust tip should be positioned as shown. (Fig. 1-4)

(e) Install the Stainless Steel spacers.

(1) Make sure that the clamp assembly is loose enough to move around the exhaust tip.

**⚠** (2) Slide the two spacers into exhaust tip opening between the tail pipe and exhaust tip inlet. Place one at left and the other at right. (Fig. 1-5)

**⚠** (3) Make sure the edges of the spacers are flush to the tip's edges.



- (f) Align the exhaust tip so that the oval is horizontal to the rear of bumper fascia. (Fig. 1-6)
- (g) Once the tip is positioned correctly and the alignment seems accurate, tighten the clamp nut making sure the clamp remains in the proper position.
- (h) Torque clamp nut to 55 N·m (40.5 ft·lbf). (Fig. 1-7).

**⚠ Torque: 55 N·m (40.5 ft·lbf)**

- (i) Clean exhaust tip with glass cleaner or approved cleaner and non-scratching cloth.

**TOYOTA 4 RUNNER 2010 - STAINLESS STEEL EXHAUST TIP**  
Checklist - these points **MUST** be checked to ensure a quality installation.

<u>Check:</u>	<u>Look For:</u>
<p><u>Accessory Function Checks</u></p> <ul style="list-style-type: none"><li><input type="checkbox"/> Correct part number has been installed.</li><li><input type="checkbox"/> Clamp alignment.</li><li><input type="checkbox"/> Tip alignment.</li></ul>	<p>Verify part number on package.</p> <p>Clamp should be oriented with bolt on the left side with the nut facing down.</p> <p>Tip oval should be horizontal to rear bumper fascia.</p>
<p><u>Vehicle Function Checks</u></p> <ul style="list-style-type: none"><li><input type="checkbox"/> Rattle or vibration</li></ul>	<p>Start engine and check for rattle or vibration of exhaust tip.</p>
<p><u>Vehicle Appearance Check</u></p> <ul style="list-style-type: none"><li><input type="checkbox"/> After accessory installation and removal of protective cover(s), perform a visual inspection.</li></ul>	<p>Ensure no damage (including scuffs and scratches) was caused during the installation process. (For PPO installations, refer to TMS Accessory Quality Shipping Standard.)</p>